



SENSORS &
CONTROLLERS



ANALYZERS
& SAMPLERS



LEVEL, FLOW
& PRESSURE



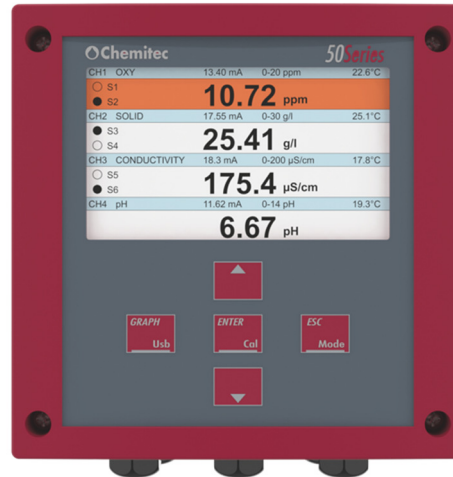
WEB APP &
DATALOGGING



ACCESSORIES

50 SERIES DATASHEET

PLUG & PLAY CONTROLLER



MAIN FEATURES

- Available in three configurations: Up to two, four and eight simultaneous measurements, freely selectable
- Connectable to the entire range of Chemitec digital sensors, plus an universal input for 4-20mA type sensors
- Simultaneous display of digital measurements via 480x272 display with color variation depending on alarm events. Display of measurement trends in graphic form
- Internal data logger with 250,000-record capacity, data download via USB or RS485
- Programmable analogue outputs for repeating measurements, PID control and temperature
- Digital output relays for set point adjustment
- Analogue input for perturbative functions or engineered display of additional measuring
- Digital input for disabling of dosage

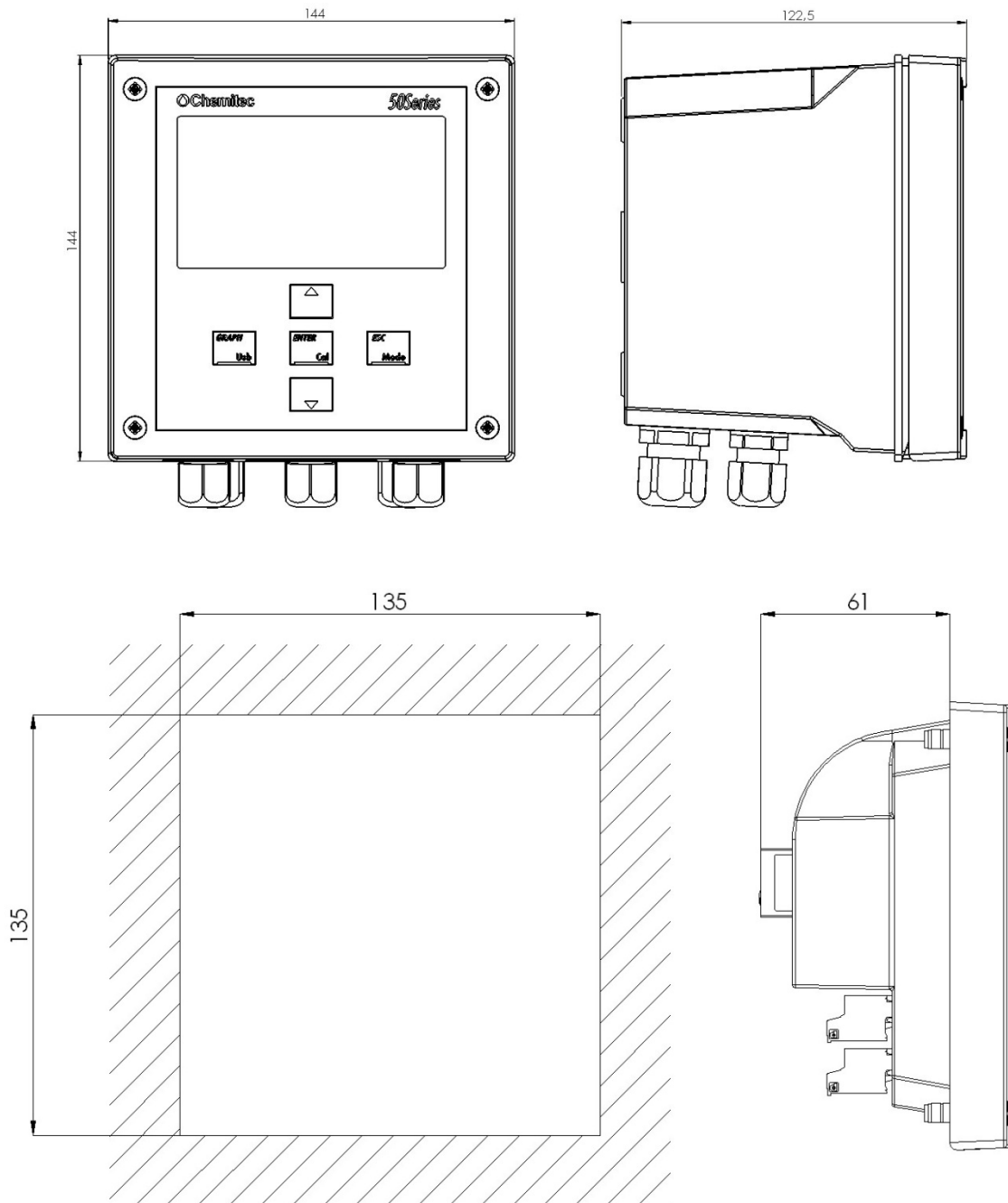
MEASURES

- pH/ORP
- Dissolved oxygen
- Conductivity
- Turbidity
- Suspended solids
- Chlorine
- Chlorine dioxide
- Ozone
- Chlorites
- Hydrogen peroxide
- Peracetic acid
- Nitrates (ISE)
- Nitrates (UV)
- Organic substances (UV)
- Colour (UV)
- Chlorophyll
- PAH/OIL (UV-Fluorescence)

TECHNICAL DATA

Measure ranges	Depending by the connected sensor
Temperature Input	Pt100/Pt1000 Automatic Recognition
Visualization	LCD Graphic color display 480(R.G.B.) (W) x 272(H)
Programming	5 bubble-Keys keyboard
Data Logger	Flash 32Mbit Memory (near to 250000 records).
Languages	Italian, English, French, German, Spanish, Polish
4 Analogue Outputs	0 / 4.00 ÷ 20.00 mA Galvanic separation: 1KV Optoisolator Maximum load 500 Ohm Second Alarm output: NAMUR 2.4 mA (with 4/20mA Range) Possibility of PID adjustment
4 command digital outputs Max 2 for each measure	Set Point ON – OFF : working range setting (Hysteresys / direction) and pause/working time setting: 000 ÷ 999 Seconds PID Regulation (only on Set point I): PWM Switching relay Maximum resistive load 3A at 230Vac
2 digital outputs for alarm / wash	Reporting: Instrumental anomalies, minimum, maximum, set point's delay, permanence time (live check) warning on probe calibrations and the possibility of displaying the data and time of the last calibration is provided. The instrument warns on the screen when a new calibration is due. Delay time: 00:00 ÷ 59:99mm:ss at minimum steps of 15sec Permanence time: 00:00 ÷ 99:99 hh:mm Set Point disableing (in case of alarm): Enable / Disable Wash: Programming of the time leg Frequency: 00:00 ÷ 24:00 hh:mm minimum time leg: 15 min During the washing phase, all digital and analogue outputs are freezed Switching relay Maximum resistive load 3A at 230Vac
Powered digital input	To disable dosages or activate washing cycle Possibility to link with a 3 wires - inductive sensor
RS485 Serial output	For set-up and real-time data acquisition from remote or for stored data Data download (using a dedicate-SW) MODBUS RTU communication protocol 1200÷38400 Baud Rate programmable speed
Analogue Input	4-20mA analog input with value engineering 12Vdc power supply for 2 and 4 wire sensors
Operating conditions	Operating temperature -20÷65°C Storage and transport -25÷65°C Humidity 10-95% (non-condensing)
Power supply/ Electrical protections	Power supply 100÷240Vac/dc 50- 60 Hz – 24Vac/dc – Transformer isolation4KV – Absorbing average < 7W – Electrical Protection: EMI / RFI CEI-EN55011 – 05/99 – According to UL, not connect to relay outputs a voltage exceeding 115V

DIMENSIONS



Dimensions (L x H x P)	144x144x122.5mm
Mounting thickness	122.5mm
Material	Red ABS "RED 65" CIELAB
Mounting	Wall
Weight	1 Kg
Front Panel	UV Resistant Polycarbonate